

Building Network

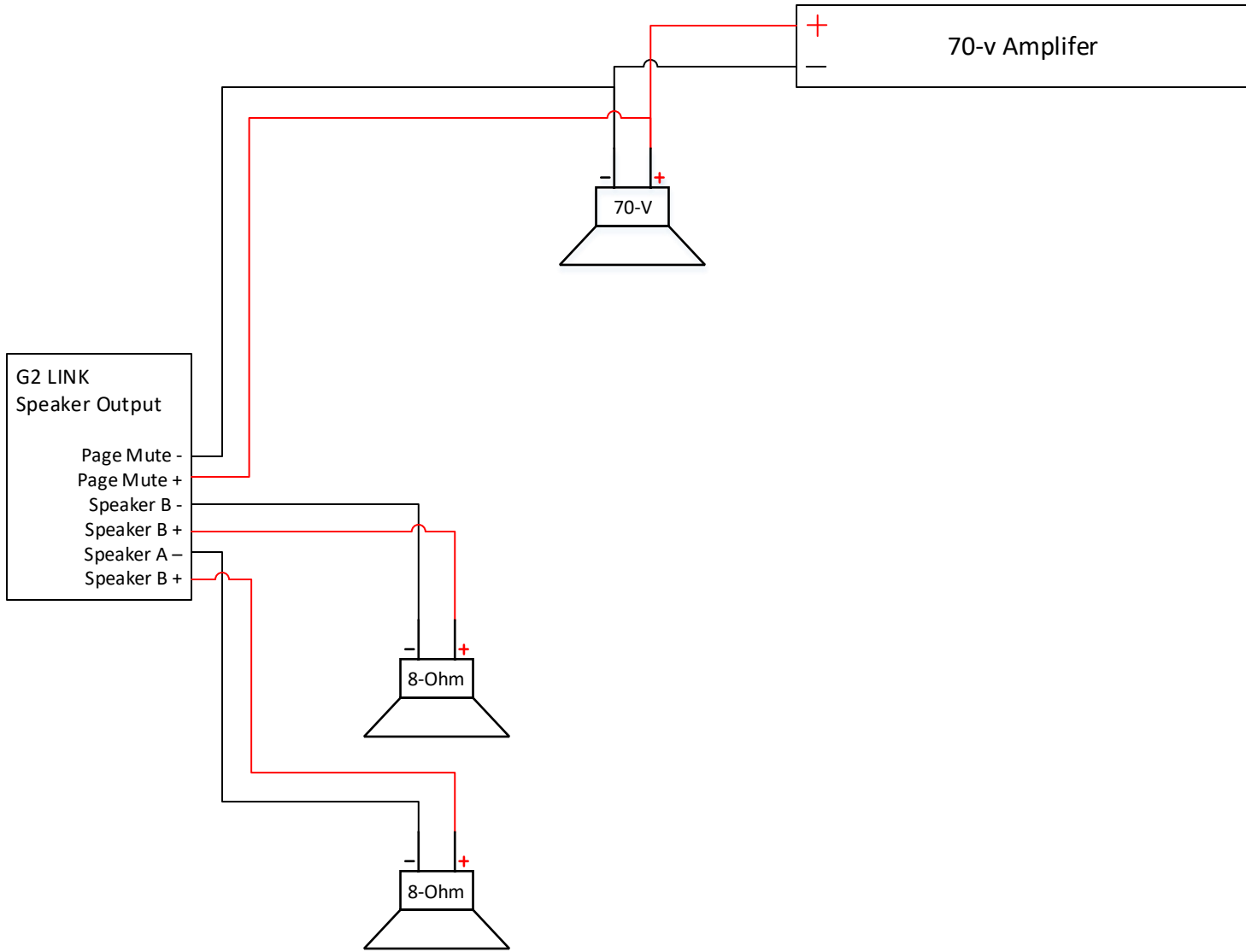


Galaxy Next Generation (G2)
 285 Big A Road, Toccoa, GA 30577
 www.galaxynext.us | 1.888.859.1274

G2 LINK Typical Classroom
 G2 LINK Stand Alone (No Bell, Paging & Intercom)
 Showing Optional WiFi & Bluetooth

Drawn By: G2, SW
 Date: 05/09/2022

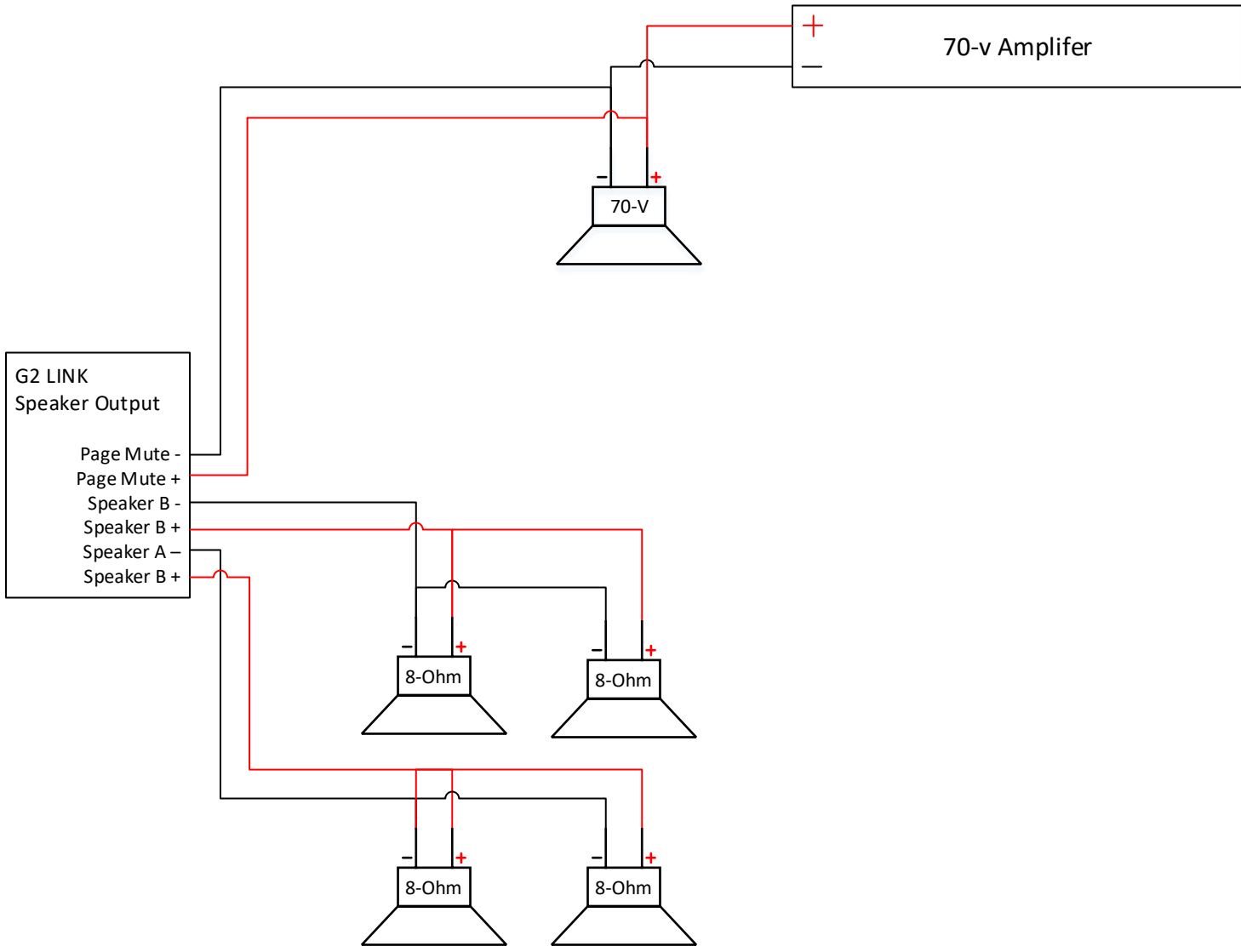
Scale NA
 Page 1



Galaxy Next Generation (G2)
 285 Big A Road, Toccoa, GA 30577
 www.galaxynext.us | 1.888.859.1274

G2 LINK Typical Classroom
 Two Speaker Wiring Diagram
 G2 LINK Stand Alone (No Bell, Paging & Intercom)

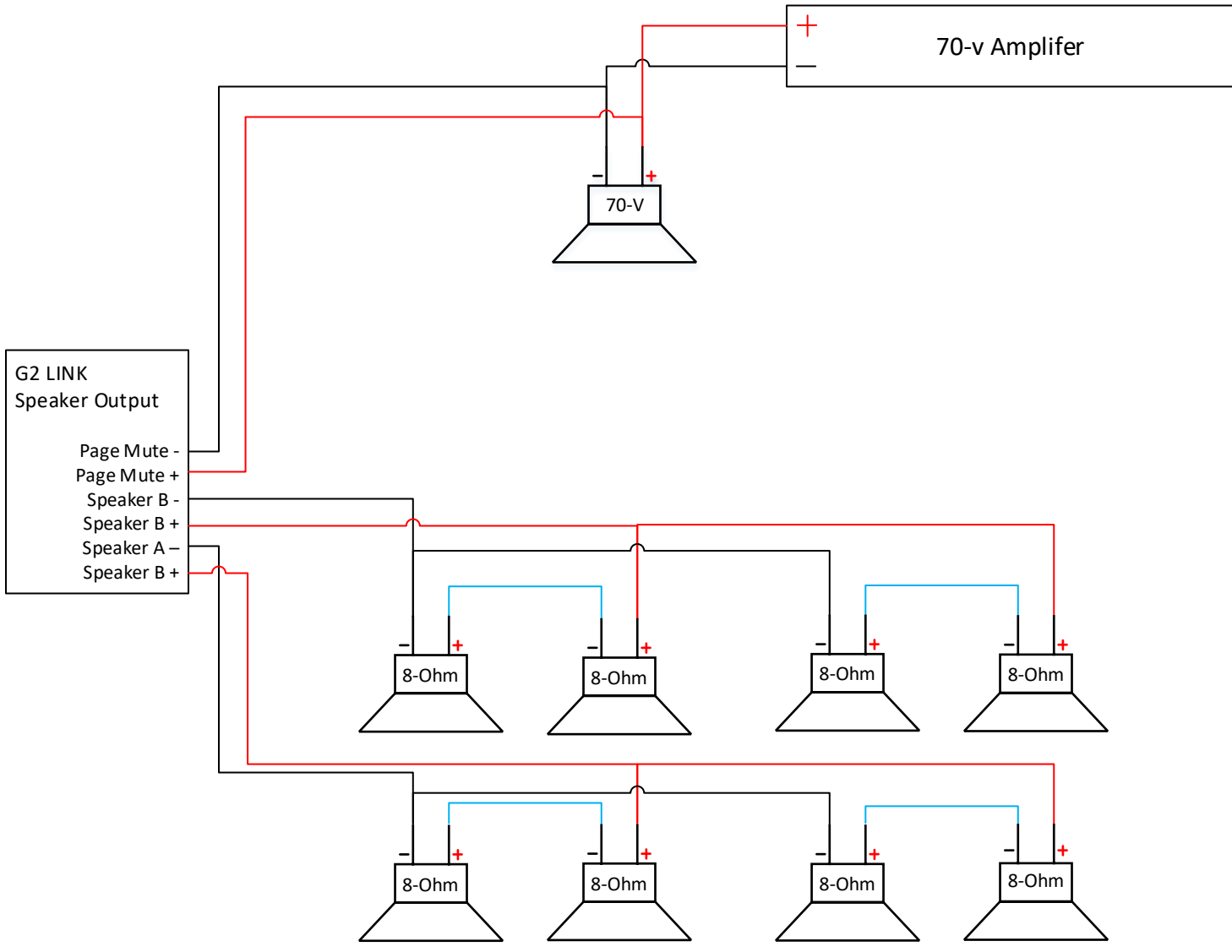
Drawn By: G2, SW
 Date: 05/09/2022



Galaxy Next Generation (G2)
 285 Big A Road, Toccoa, GA 30577
 www.galaxynext.us | 1.888.859.1274

G2 LINK Typical Classroom
 Four Speaker Wiring Diagram
 G2 LINK Stand Alone (No Bell, Paging & Intercom)

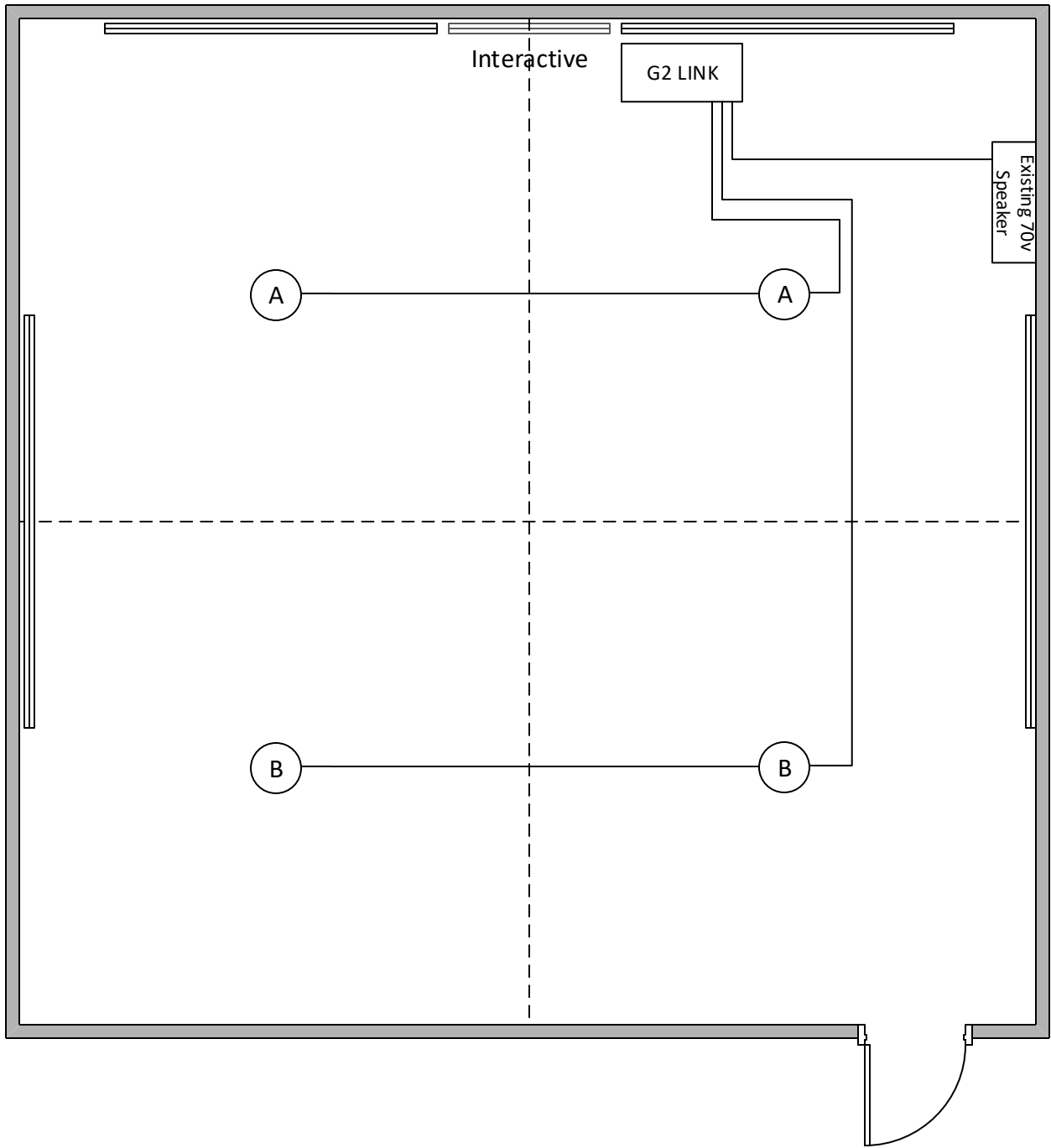
Drawn By: G2, SW
 Date: 05/09/2022



Galaxy Next Generation (G2)
 285 Big A Road, Toccoa, GA 30577
 www.galaxynext.us | 1.888.859.1274

G2 LINK Typical Classroom
 Eight Speaker Wiring Diagram
 G2 LINK Stand Alone (No Bell, Paging & Intercom)

Drawn By: G2,SW
 Date: 05/09/2022



All speaker cabling will be:
 Secured above the ceiling grid.
 Unless specified in the details,
 all speaker cables will have a 10-
 foot service loop at each end.
 Plenum rated non-shielded 18/2
 cable.

Ceiling Speaker Installation
 Classroom is to be divided into
 four (4) quadrants with the
 speakers installed in the center
 of each quadrant.

Channel 1 speakers (left side of
 room) to be wired in parallel
 with the rear speaker wired to
 the forward speaker which is
 wired to the amplifier.

Channel 2 speakers (right side
 of room) to be wired in parallel
 with the rear speaker wired to
 the forward speaker which is
 wired to the amplifier.

Amplifier Installation
 The amplifier will be wall
 mounted near the interactive
 flat panel. Speaker cables will
 be contained in surface
 mounted raceway.



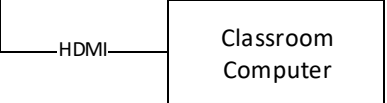
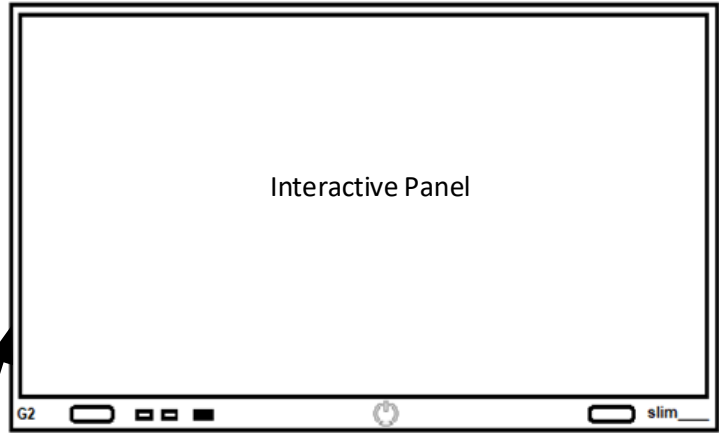
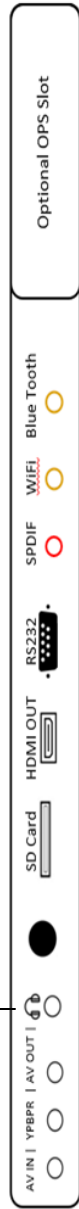
Galaxy Next Generation (G2)
 285 Big A Road, Toccoa, GA 30577
 www.galaxynext.us | 1-888-859-1274

G2 LINK Typical Classroom
 Four Speaker Classroom Layout
 G2 LINK Stand Alone (No Bell, Paging & Intercom)

Drawn By: G2,SW
 Date: 05/09/2022

Scale ¼" = 1'
 Page 5

- Power Supply
- Page Mute -
- Page Mute +
- Speaker B -
- Speaker B +
- Speaker A -
- Speaker B +
- 3.5 Line Out #2
- RJ45 MIC GPIO 1-3
- RJ45 Line Out #1
- RJ45 Line In #5
- RJ45 Line In #4
- 3.5 Line In #3
- 3.5 Line In #2
- 3.5 Line In #1
- RS 232 GRN
- RS 232 TX
- RS 232 RX
- Status Lights
- USB C
- Reset Button
- Network



3.5 Shield Audio



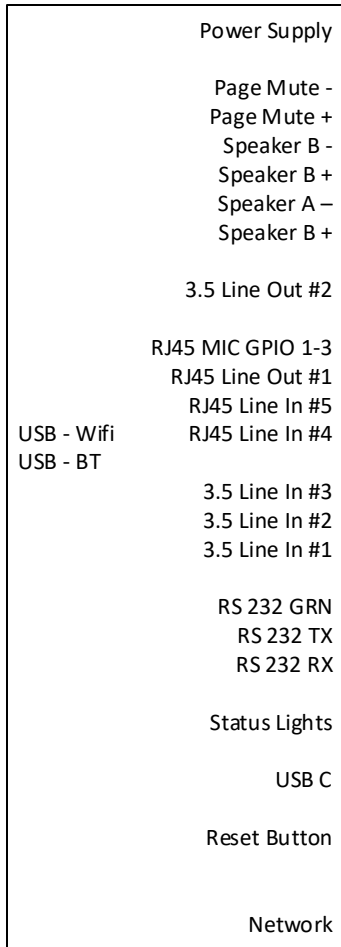
Galaxy Next Generation (G2)
 285 Big A Road, Toccoa, GA 30577
 www.galaxynext.us | 1.888.859.1274

G2 LINK Typical Classroom
 IFP Audio to G2 LINK
 G2 LINK Stand Alone (No Bell, Paging & Intercom)

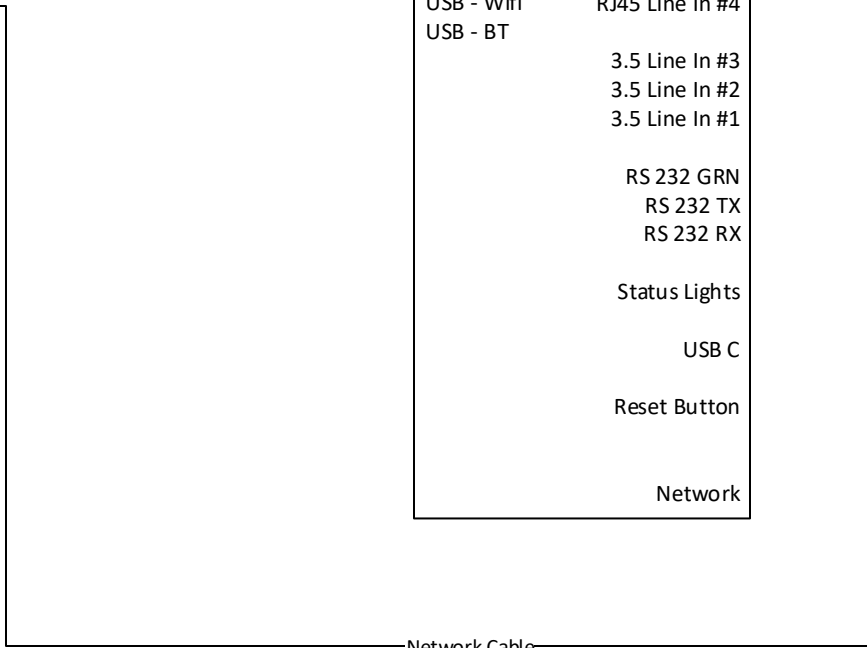
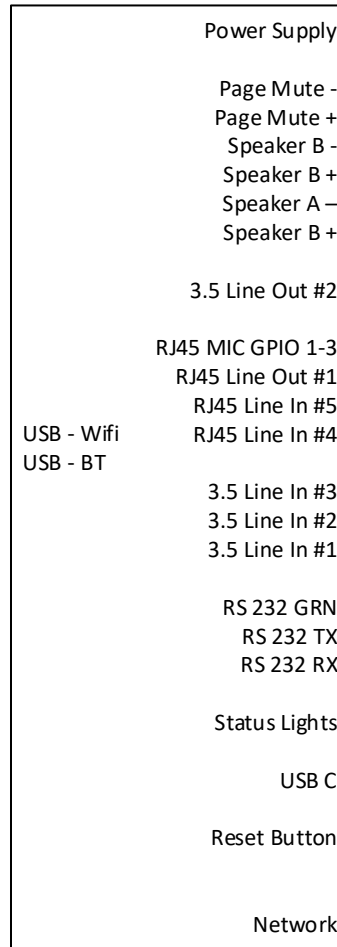
Drawn By: G2, SW
 Date: 05/09/2022

Large format room with operable wall

Primary Amplifier



Secondary Amplifier



Galaxy Next Generation (G2)
285 Big A Road, Toccoa, GA 30577
www.galaxynext.us | 1.888.859.1274

G2 LINK Typical Classroom
Daisy Chain Two G2 LINK Amplifiers
G2 LINK Stand Alone (No Bell, Paging & Intercom)

Drawn By: G2, SW
Date: 05/09/2022