

Two-way IP Speakers

(Network Speaker)

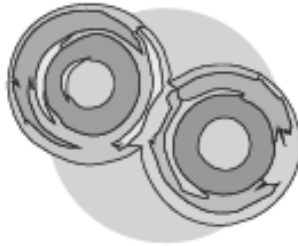
Quick Install Guide



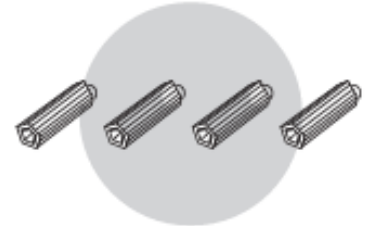
Package Contents



Network Speaker
(1 pcs)



Aprons
(2 pcs)



Plastic Anchors
(4 pcs)

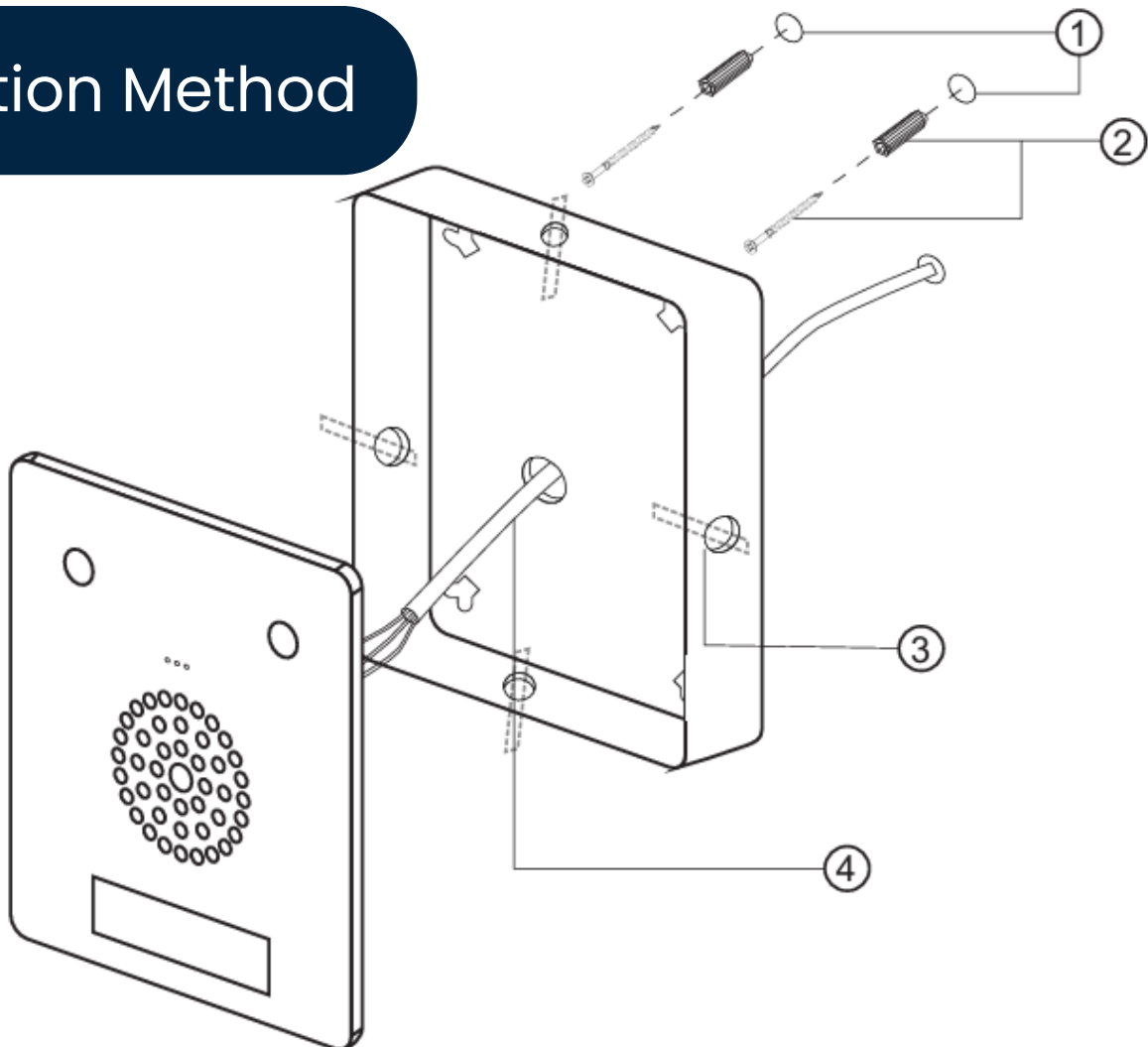


M4*25mm Screws
(4 pcs)

Network Settings

- 1 The Network speaker uses DHCP as the default IP assignment method. If you would like to change to DHCP to static IP before installation, please first power on the speaker using a power adaptor or a PoE-enabled network cable. Wait 30 seconds, then press and hold the IP broadcast button from the front panel to listen to its IP address. If the DHCP server is not available or DHCP fails, the default IP address **192.168.1.101** will be used.
- 2 Insert the IP address in the browser address bar to open the web interface, use the default login credentials (**admin/admin**) to sign in. Go to Settings -> Network Settings to set up a static IP.

Installation Method



Installation Method

- 1 Using an electric drill, drill two holes on the installation wall according to the distance between the hook holes.
- 2 Push the anchors into each mounting hole with a rubber hammer, then install the screws.
- 3 Knock out the necessary hole guard(s) and pass the network cable through.
- 4 If PoE cable is not used, please connect the power cable to the DC socket through the net coil or the rear enclosure hole.
- 5 If there are any buttons, relays, and/or other devices that need to be used. Please connect them to the phoenix terminal of the J2 connector through the net coil or the rear enclosure hole.
- 6 Align the hooks on the enclosure with the installed screws and hang it on.
- 7 Install the front panel onto the rear panel box and tighten with the M4*25mm screws using a screwdriver.

Reboot & Reset

- 1 **Reboot:** Press and hold the IP broadcast button on the front panel for around 10 seconds, then release. The device will automatically reboot.
- 2 **Reset:** Press and hold the reset button on the speaker internal mainboard for around 5 seconds will you hear voice prompts "Resetting factory defaults, rebooting...", now release the reset button, and the Network Speakers will now reset. After recovery, the system light enters a flash state.

Interfaces

